

ALL WEATHER ENERGY SAVER

SLIDING GLASS STORM DOOR

- AVAILABLE IN WHITE OR MEDIUM BRONZE AND FINISH
- MAY BE INSTALLED OVER EXISTING SLIDING GLASS DOOR
- REDUCES COLD DRAFTS
- LOWERS OUTSIDE NOISE

- CUTS ENERGY COSTS WITH DOUBLE, OR OPTIONAL TRIPLE, GLAZING
- PROPERLY INSTALLED STORM UNIT SAVES ENERGY YEAR 'ROUND
- STORM UNIT MINIMIZES CONDENSATION AND FROST ACCUMULATION ON PRIMARY DOORS



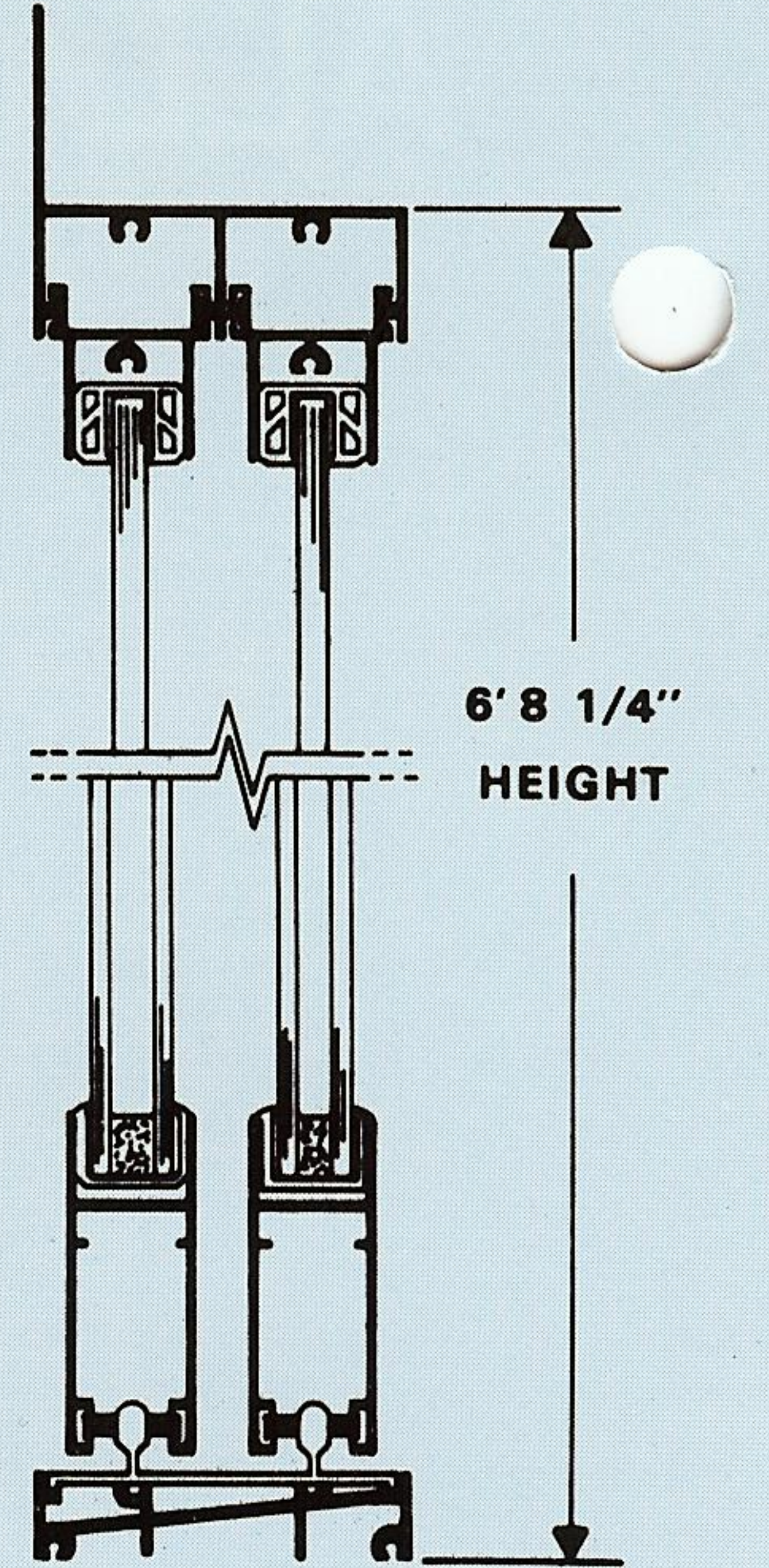
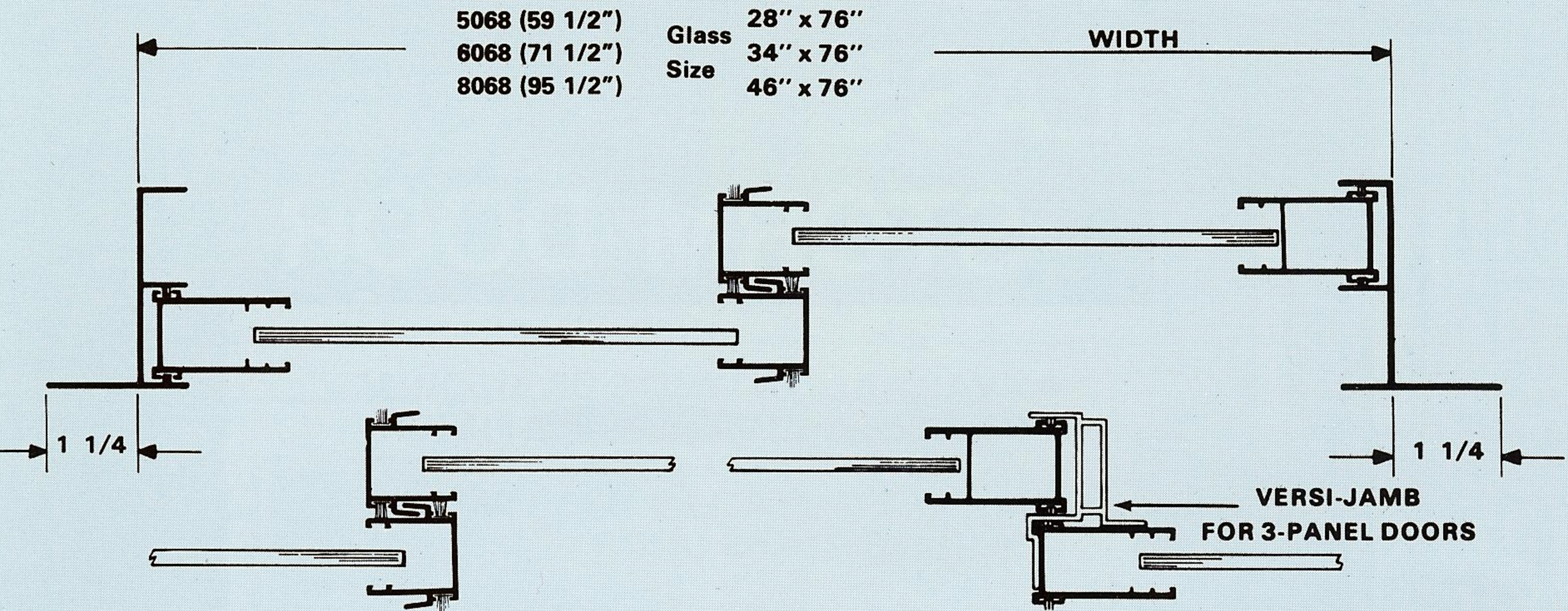
Model No. M-1200

GLASS SLIDING STORM DOOR

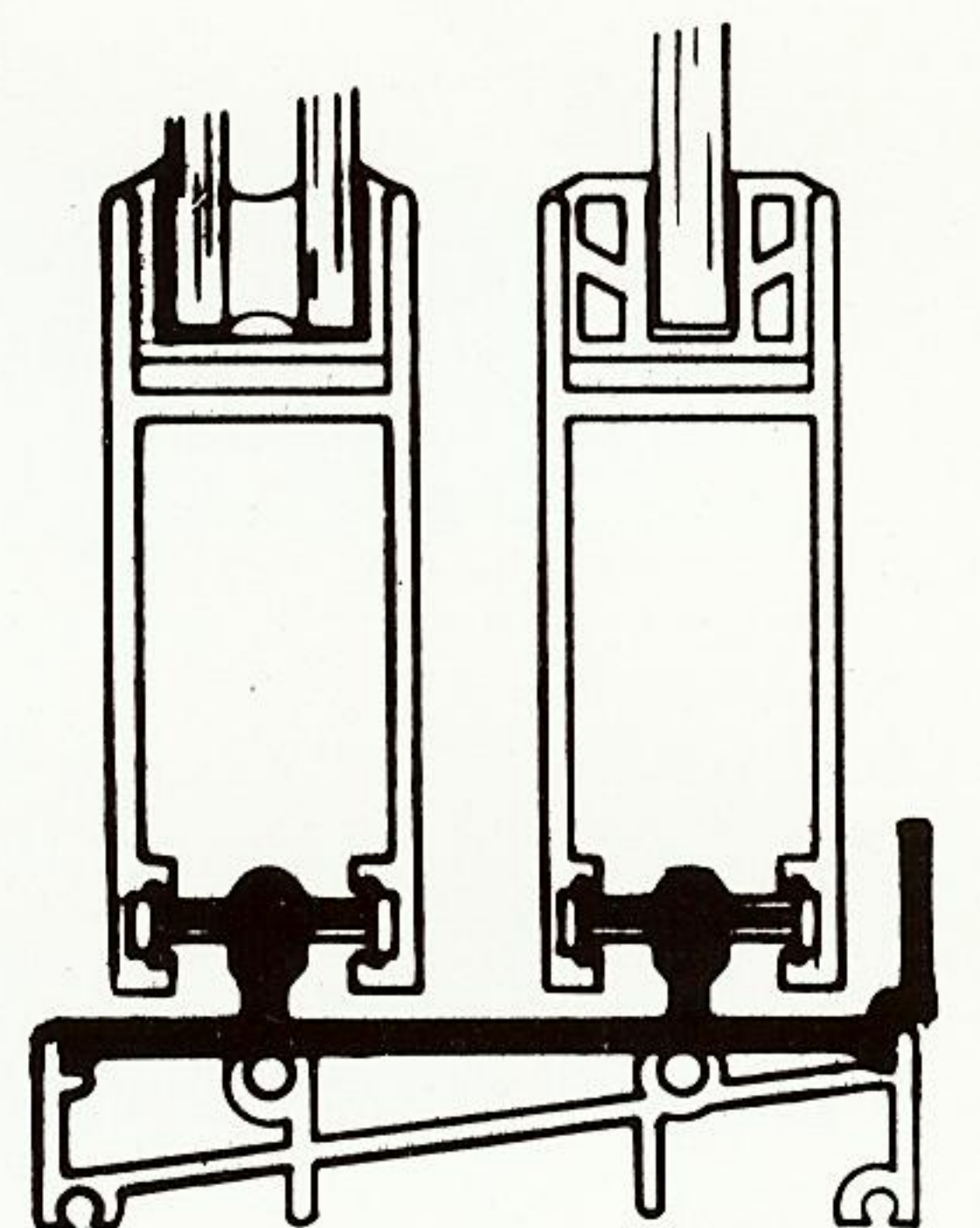
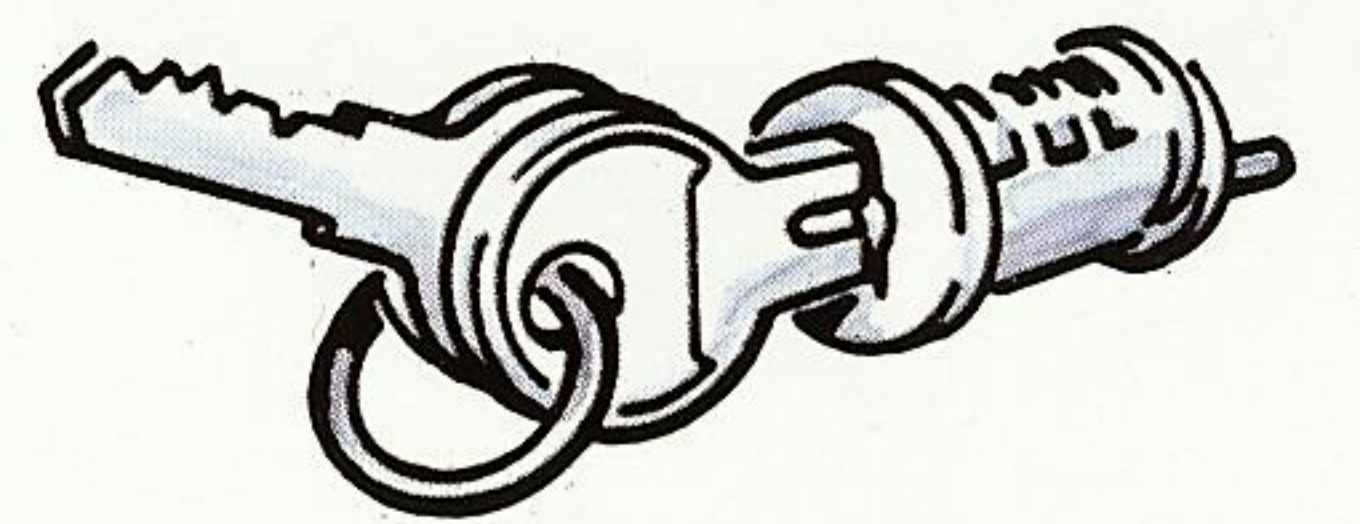
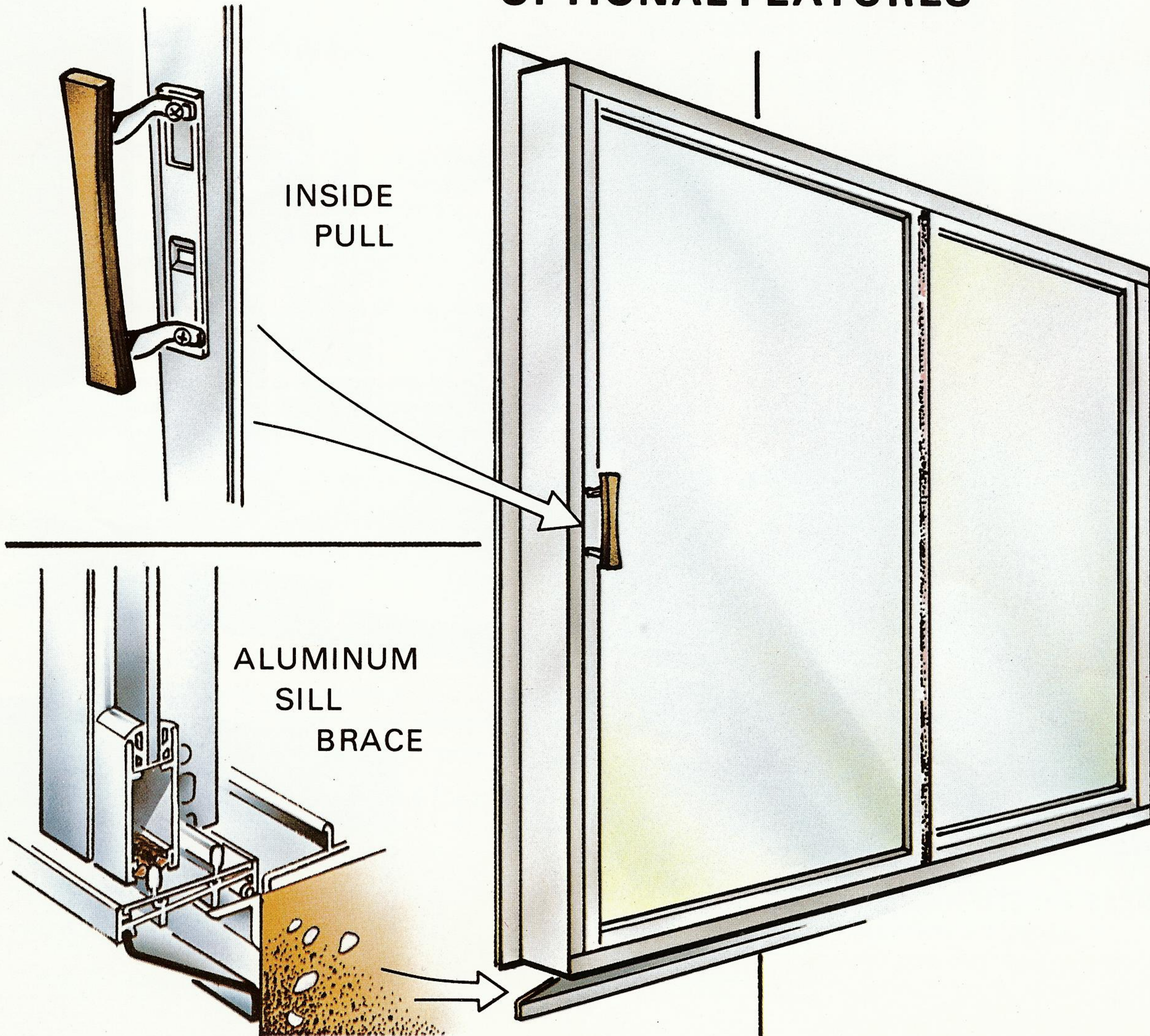
5068 (59 1/2")
6068 (71 1/2")
8068 (95 1/2")

Glass 28" x 76"
Size 34" x 76"
34" x 76"
46" x 76"

WIDTH

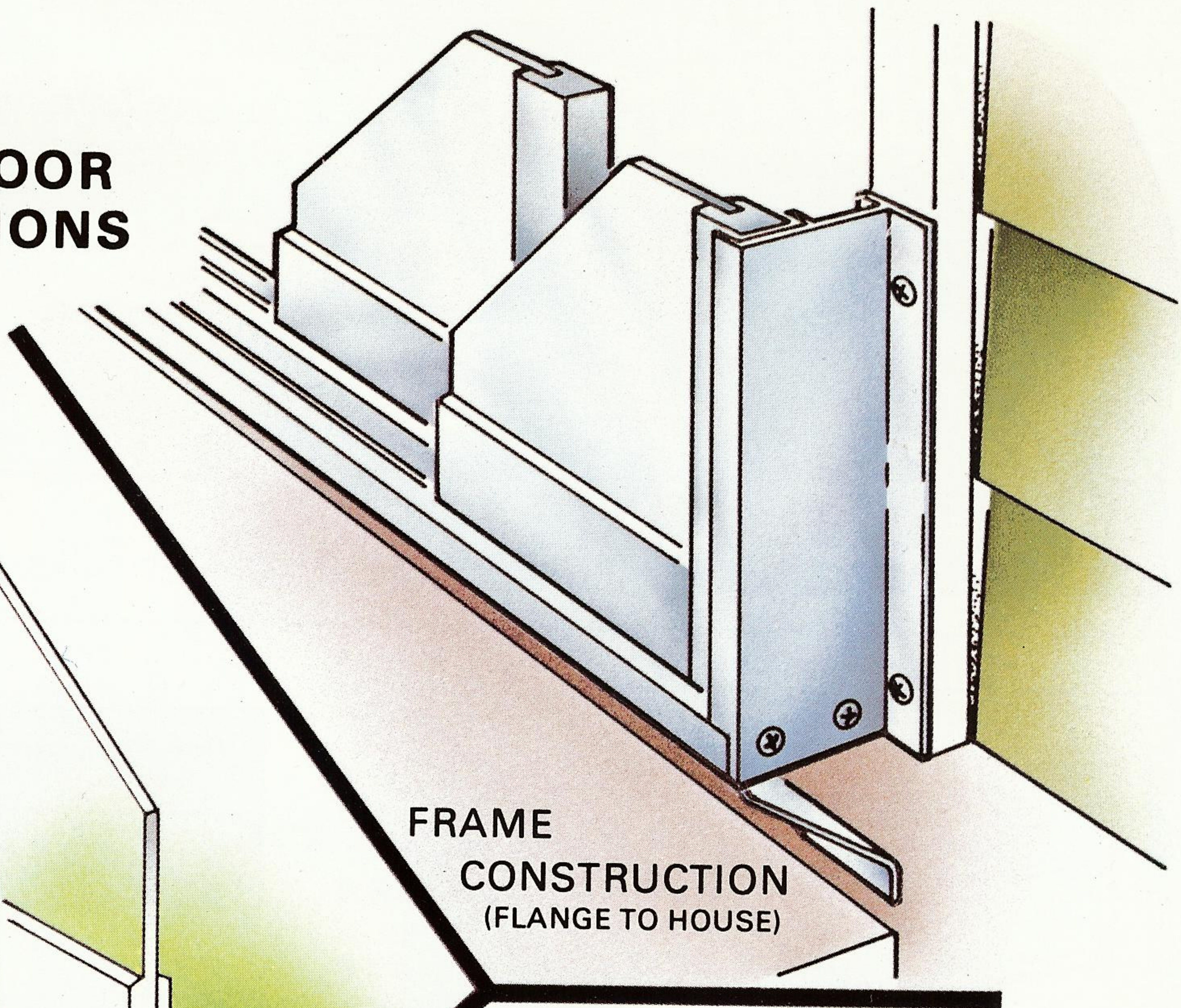


OPTIONAL FEATURES

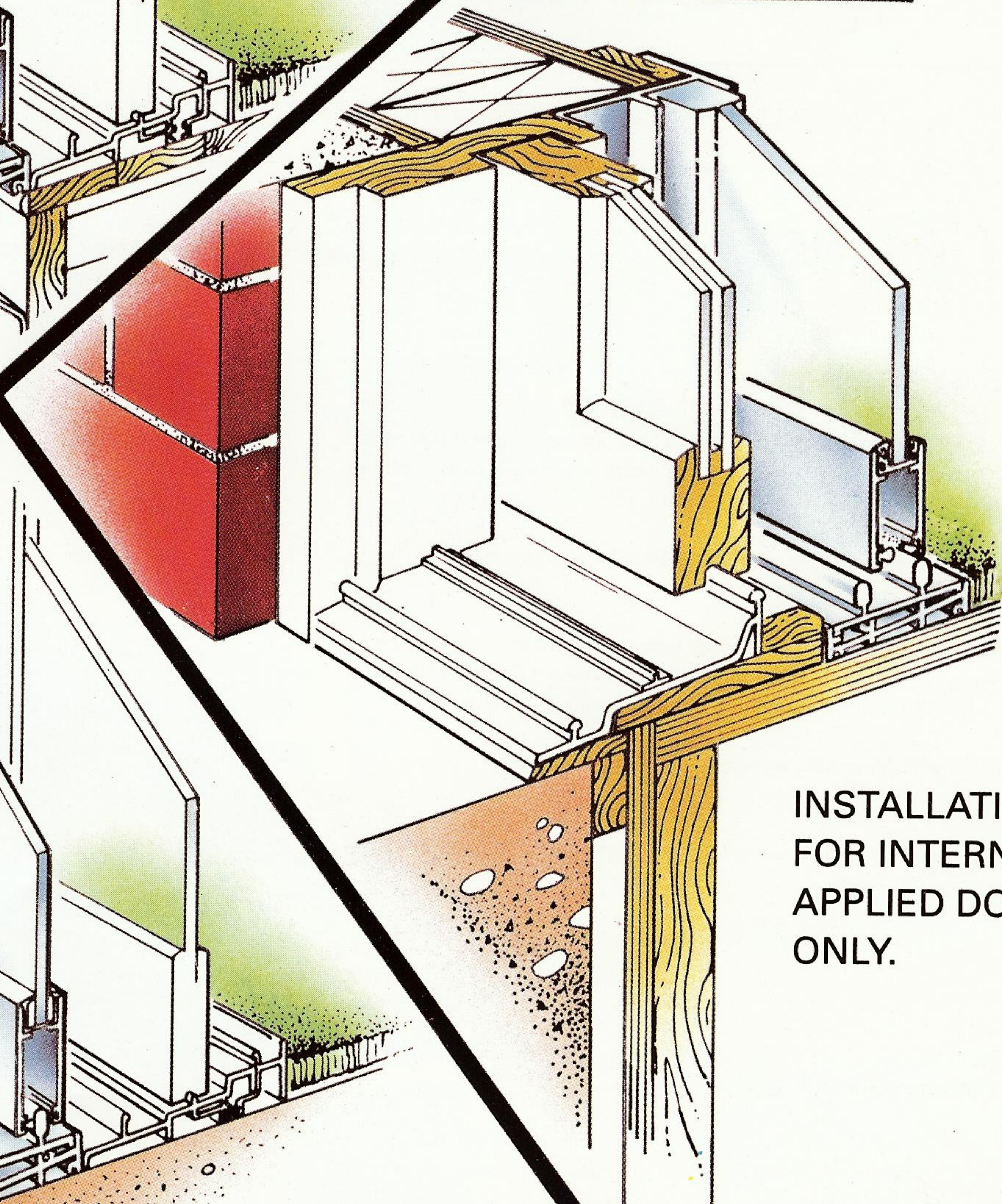
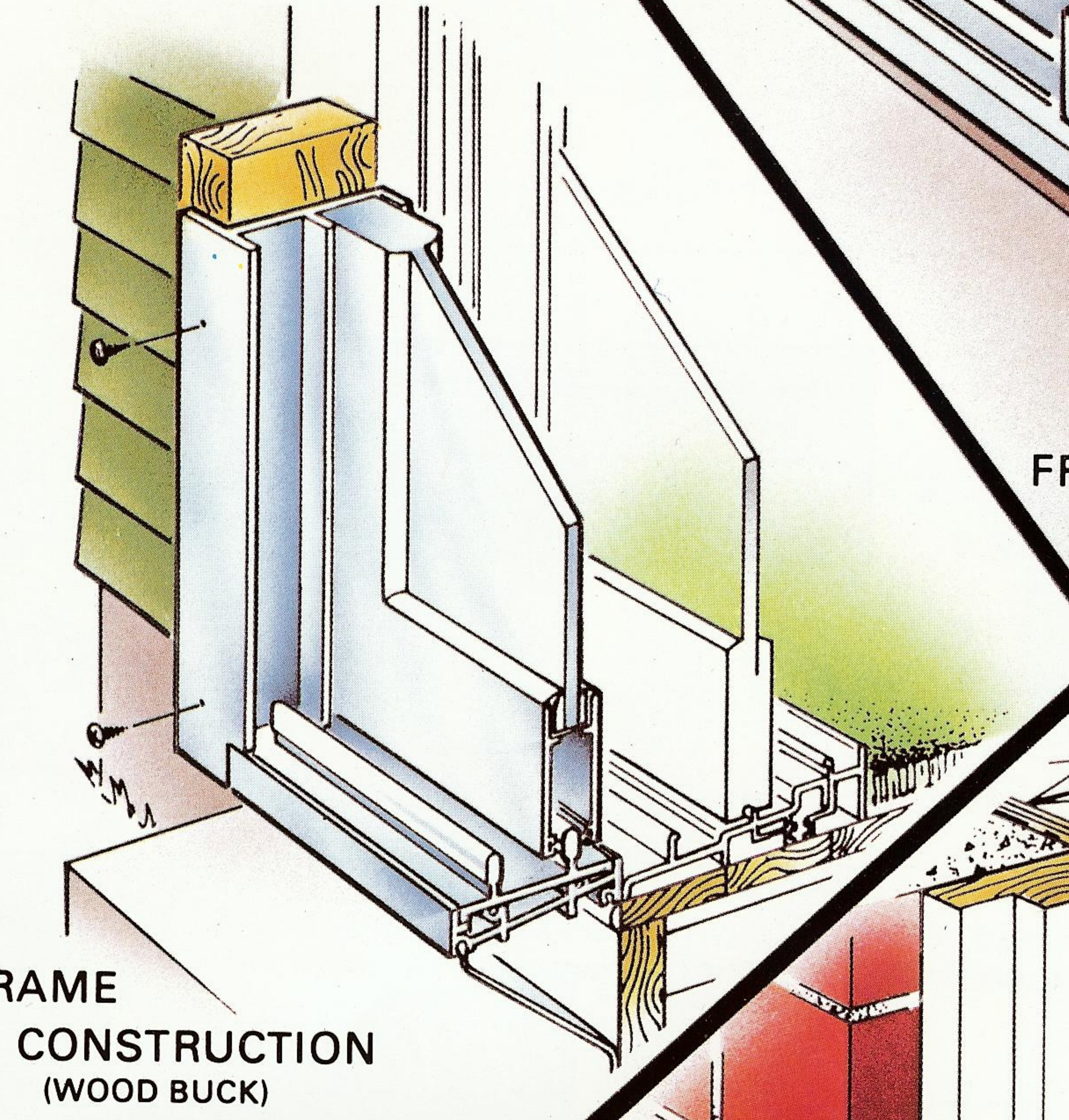


SILL REQUIRED FOR EXTERNAL APPLIED DOOR ONLY.

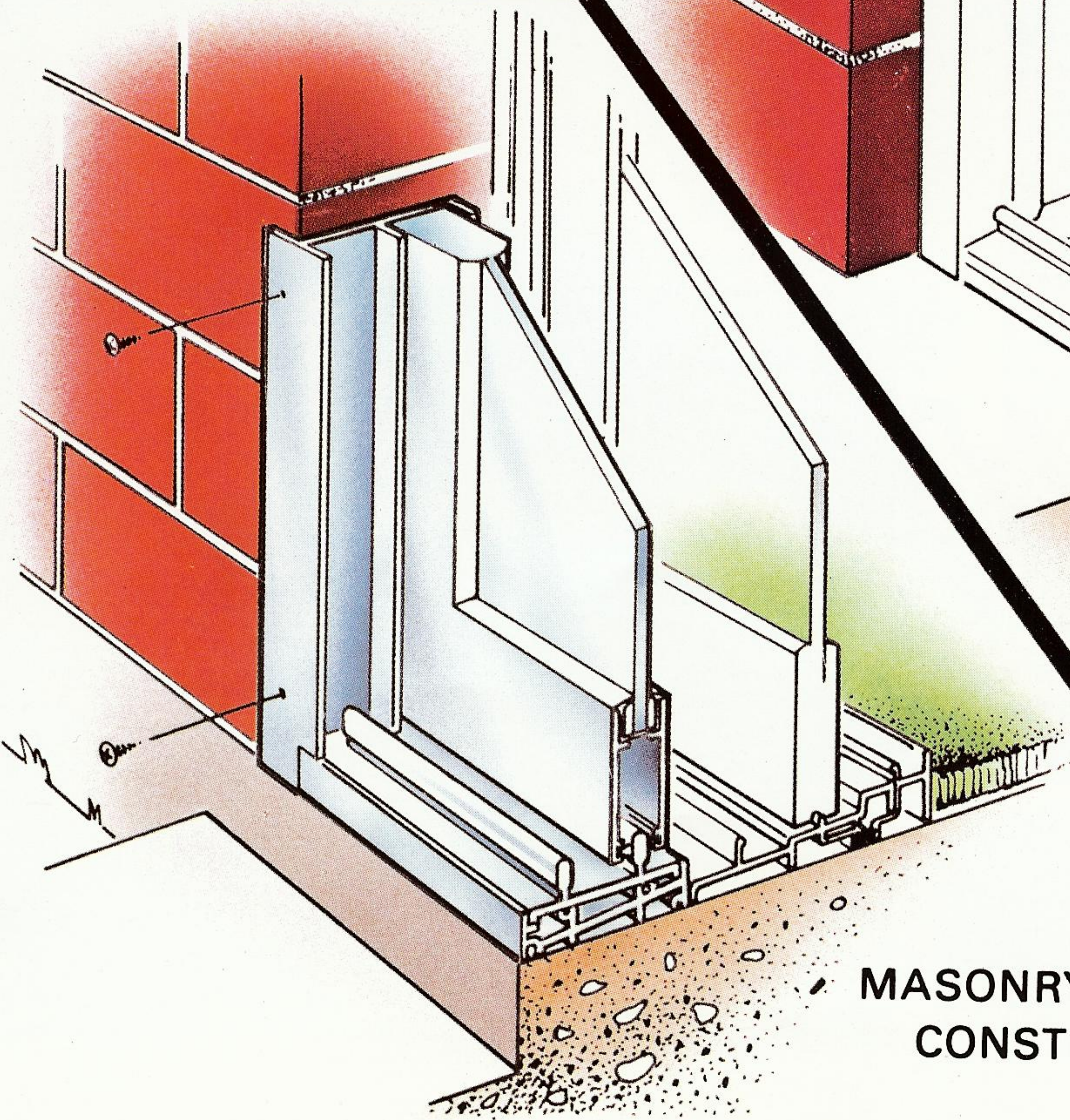
TYPICAL DOOR INSTALLATIONS



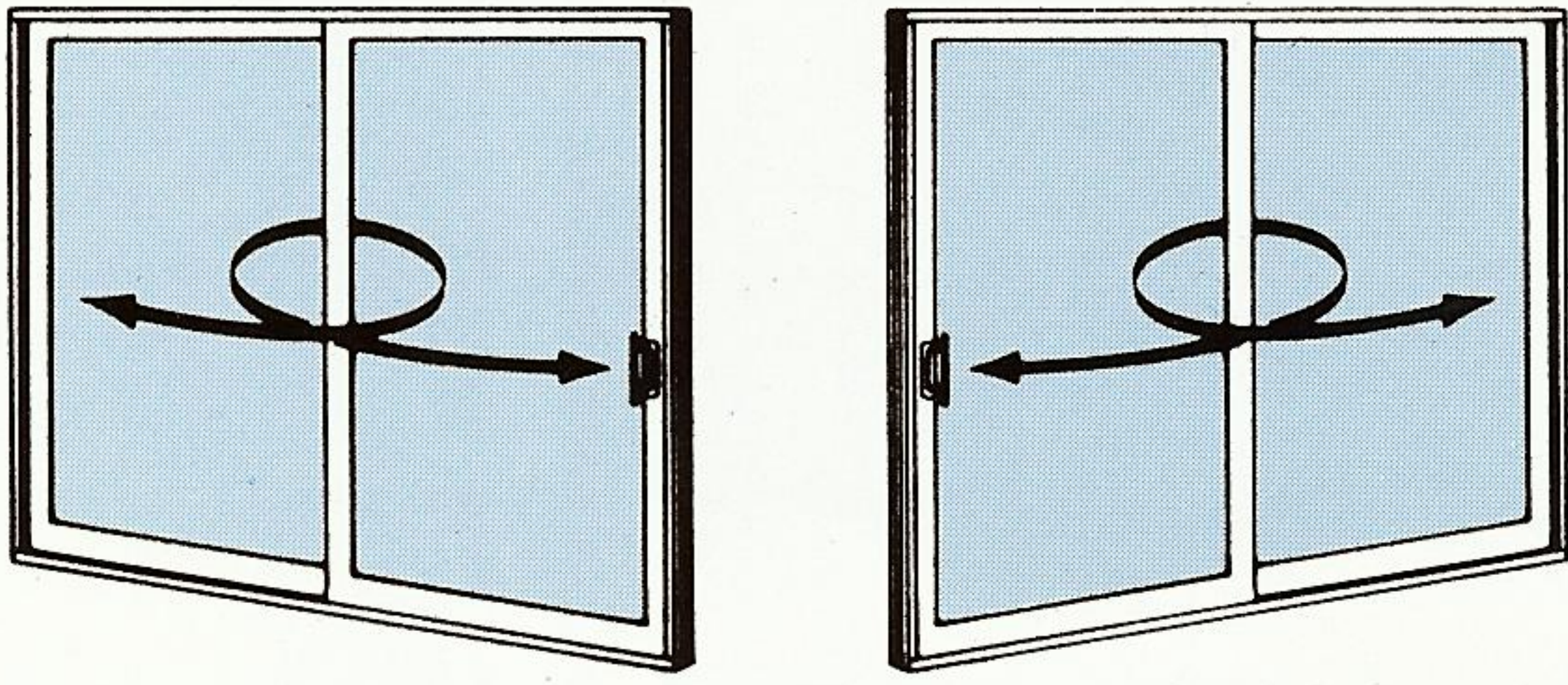
FRAME CONSTRUCTION (WOOD BUCK)



MASONRY CONSTRUCTION

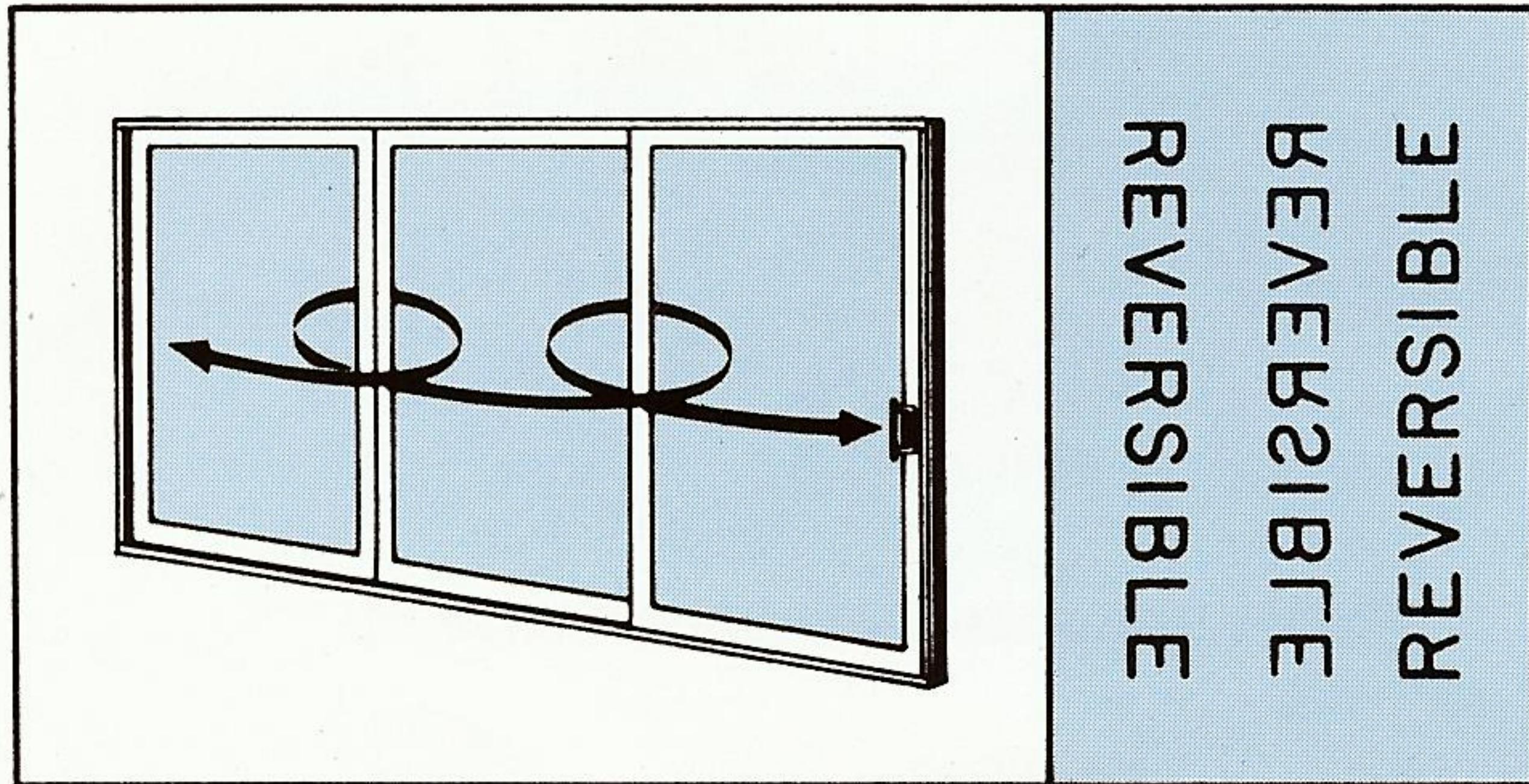


M-1200 REVERSIBLE SLIDING GLASS STORM DOORS



NOMINAL SIZE	ACTUAL FRAME SIZE	GLASS SIZE
5068	59½ x 80¼	(2) 28 x 76
6068	71½ x 80¼	(2) 34 x 76
8068	95½ x 80¼	(2) 46 x 76

ALL 2-PANEL DOORS FULLY REVERSIBLE (EVEN AFTER INSTALLATION)



NOMINAL SIZE	ACTUAL FRAME SIZE	GLASS SIZE
9068	108⅞ x 80¼	(3) 34 x 76
12068	144⅞ x 80¼	(3) 46 x 76

ALL 3-PANEL DOORS FULLY REVERSIBLE (EVEN AFTER INSTALLATION)

VERSI PANEL™

ALL 3-PANEL MODELS WITH EXCLUSIVE VERSI PANEL DESIGN. Choice of four different panel arrangements plus the option of panel rearrangement even after installation.

SPECIFICATIONS:

MATERIAL: Main Frame and panel members are extruded aluminum alloy 6063-T5. Screw fasteners are stainless steel or cadmium-plated or zinc-plated per ASTM specifications A-164-71 or A-165-71.

FRAME: The frame consists of a head, sill and jambs designed for joining with two screws at each corner.

PANELS: Corners of rolling panels are coped, lapped and fastened with screws to form a weathertight joint. Both panels are provided with sealed ball bearing wheels in the bottom rail. Panels are easily adjustable after installation.

WEATHERSTRIPPING: All panels are double weatherstripped to insure a tight seal and minimize air infiltration.

HARDWARE: Pull and latch set are sturdy, door locks securely, and operates easily.

FINISH: Doors are available in white or medium bronze paint and metalume finish.

GLAZING: Panels may be glazed with 1/8", 3/16" or 5/8" glass with glazing vinyl specified by purchaser. NOTE: Glazing must be in accordance with ANSI Z-97-1 or safety glazing material.

INSTALLATION: Assembly and installation shall be done by others in accordance with good standard construction practices. All mounting and assembly screws furnished with the door. Doors may be installed with mounting fin to the inside or outside depending on the particular job, with panel arrangement as desired.

VENDORS ADDRESS