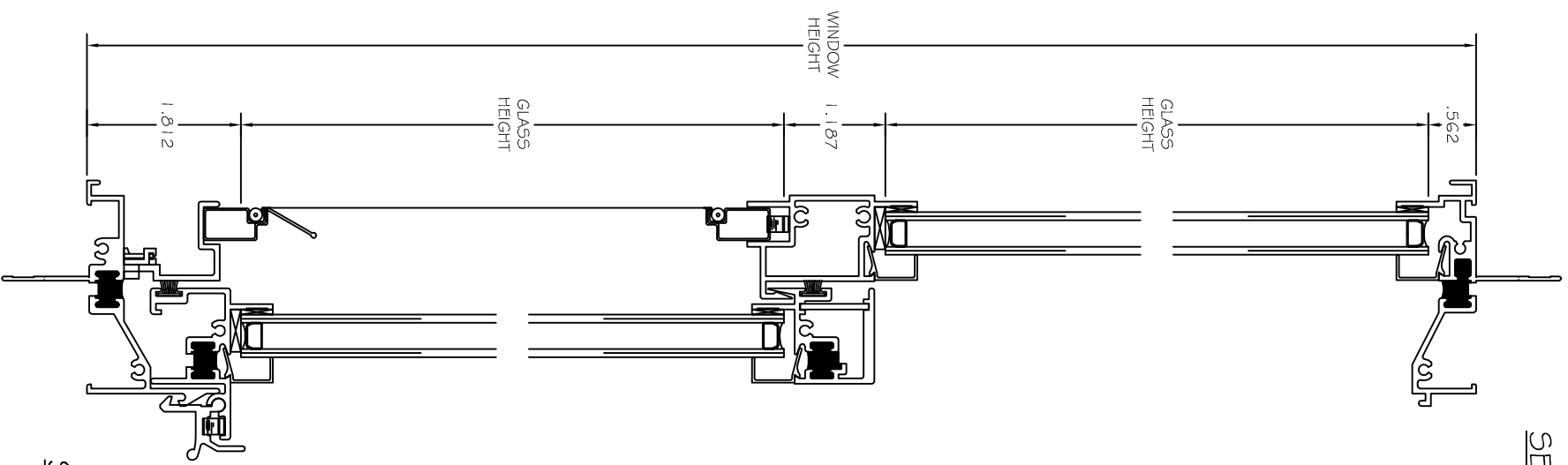
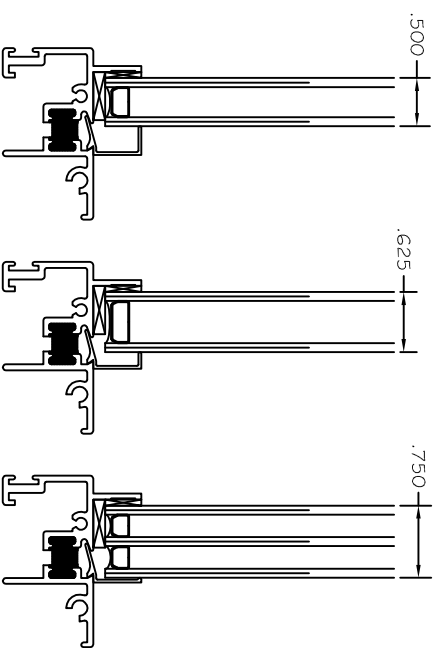


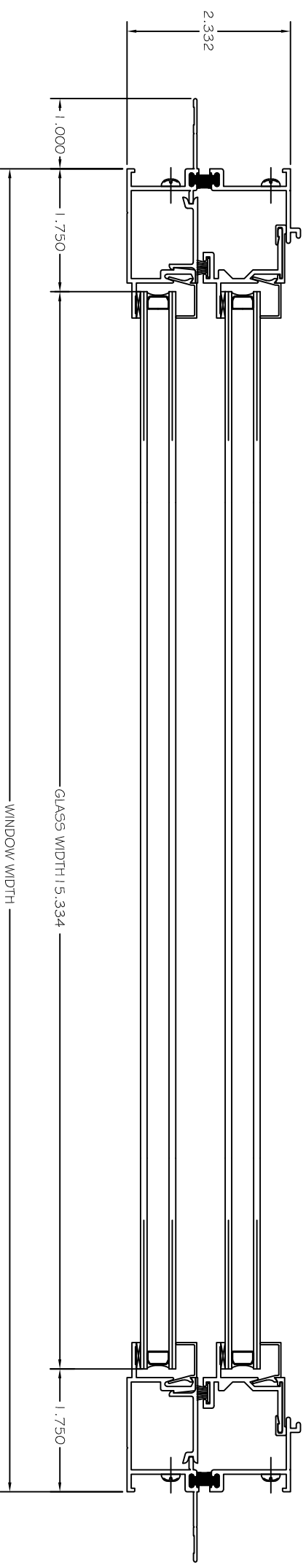
SECTION 1
HEAD



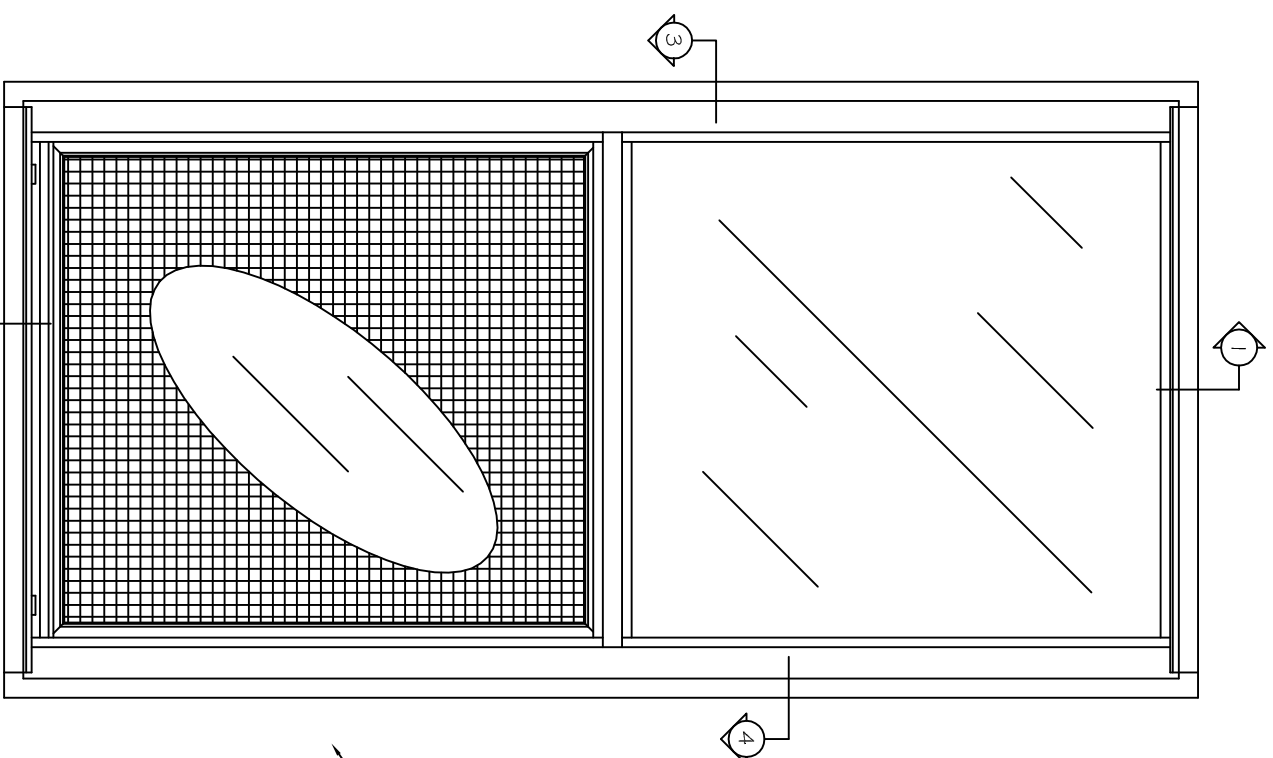
SECTION 2
SILL



SECTION 3
JAMB

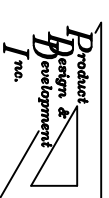


SECTION 4
JAMB



EXTERIOR ELEVATION

MODIFY SCALE X 5 FOR
ACTUAL SIZE OF WINDOW



Product Design & Development Inc.

COLUMBIA GLASS

Phone No: 717-741-4844	Part Name:	ASSEMBLY
Fax No: 717-741-4625	Project Title:	SINGLE HING SINGLE
E-mail: pddi@blazenet.net	Project No: 3425-A-01	Series: C-500
Designed: RLB	Date: 2-17-06	
Checked By: FULL	Date:	
Scale:	Rev:	