

UNITS & D.H. SOFFITS
 EB101/ MAX OR AS CODES REQ'D



Columbia

Aluminum Windows
 & Doors

Your assurance of quality

WOOD RAILING

Series C-500 and Series C-550

Thermal Break Single Hung Primary Window

Standard Sizes

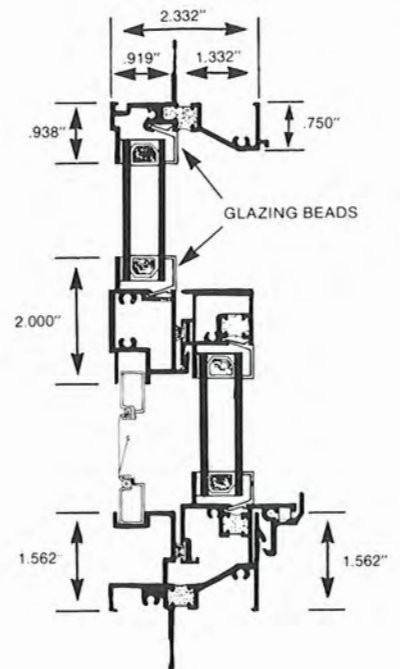
Standard Window Size	Rough Opening				Actual Size		Glass Size		Screen Size		Divided Light Config.
	Single Unit		Twinn	Triple	Single Unit		Width	Height	Width	Height	
	Width	Height	Width	Width	Width	Height					
2026 2030 2038 2040 2044 2050 2054 2060	24	30 36 44 48 52 60 64 72	48	72	23½	29½ 35½ 43½ 47½ 51½ 59½ 63½ 71½	20	13 16 20 22 24 28 34	20	13½ 16½ 20½ 22½ 24½ 28½ 36½ 34½	4/4 4/4 4/4 4/4 4/4 4/4 4/6 4/4
2426 2430 2438 2440 2444 2450 2454 2460	28	30 36 44 48 52 60 64 72	56	84	27½	29½ 35½ 43½ 47½ 51½ 59½ 63½ 71½	24	13 16 20 22 24 28 34	24	13½ 16½ 20½ 22½ 24½ 28½ 36½ 34½	6/6 6/6 6/6 6/6 6/6 6/6 6/9 6/6
2826 2830 2838 2840 2844 2850 2854 2860*	32	30 36 44 48 52 60 64 72	64	96	31½	29½ 35½ 43½ 47½ 51½ 59½ 63½ 71½	28	13 16 20 22 24 28 34	28	13½ 16½ 20½ 22½ 24½ 28½ 36½ 34½	6/6 6/6 6/6 6/6 6/6 6/6 6/9 6/6
3026 3030 3038 3040 3044 3050* 3054 3060*	36	30 36 44 48 52 60 64 72	72	108	35½	29½ 35½ 43½ 47½ 51½ 59½ 63½ 71½	32	13 16 20 22 24 28 34	32	13½ 16½ 20½ 22½ 24½ 28½ 36½ 34½	6/6 6/6 6/6 6/6 6/6 6/6 6/9 6/6
3426 3430 3438 3440 3444 3450* 3454 3460*	40	30 36 44 48 52 60 64 72	80	120	39½	29½ 35½ 43½ 47½ 51½ 59½ 63½ 71½	36	13 16 20 22 24 28 34	36	13½ 16½ 20½ 22½ 24½ 28½ 36½ 34½	8/8 8/8 8/8 8/8 8/8 8/8 8/12 8/8
3826 3830 3838 3840 3844 3850* 3854 3860*	44	30 36 44 48 52 60 64 72	88	132	43½	29½ 35½ 43½ 47½ 51½ 59½ 63½ 71½	40	13 16 20 22 24 28 34	40	13½ 16½ 20½ 22½ 24½ 28½ 36½ 34½	8/8 8/8 8/8 8/8 8/8 8/8 8/12 8/8

*Meets Egress Requirements



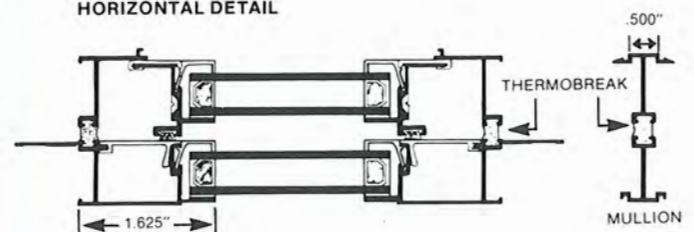
The Series C-500 and C-550 is Columbia's finest single hung window. It offers the builder and the home-owner quality construction, easy maintenance and lasting beauty.

VERTICAL DETAIL



Series C-500

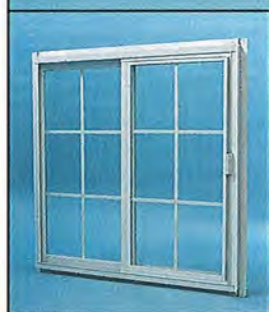
HORIZONTAL DETAIL



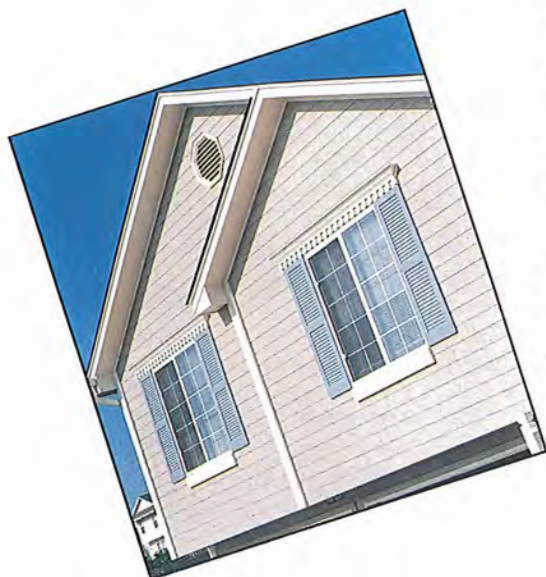
Series C-900

Thermal Break Sliding (Rolling) Primary Window

Columbia's Series C-900 is a sliding window that offers a life of smooth, quiet operation. This particular window is easy to install and asks for nothing but simple and quick cleaning.



Series C-900



Standard Sizes

Standard Window Size	Rough Opening		Actual Size		Glass Size				Screen Size	
	Single Unit		Single Unit		Fixed		Operating		Width	Height
	Width	Height	Width	Height	Width	Height	Width	Height		
2020 2030 2040 2050*	24	24 36 48 60	23½	23½ 35½ 47½ 59½	10	20 32 44 56	10	20 32 44 56	10½	20½ 32½ 44½ 56½
3020 3030 3040 3050	36	24 36 48 60	35½	23½ 35½ 47½ 59½	16	20 32 44 56	16	20 32 44 56	16½	20½ 32½ 44½ 56½
4020 4030 4040* 4050*	48	24 36 48 60	47½	23½ 35½ 47½ 59½	22	20 32 44 56	22	20 32 44 56	22½	20½ 32½ 44½ 56½
5020 5030* 5040* 5050*	60	24 36 48 60	59½	23½ 35½ 47½ 59½	28	20 32 44 56	28	20 32 44 56	28½	20½ 32½ 44½ 56½
6020 6030* 6040* 6050*	72	24 36 48 60	71½	23½ 35½ 47½ 59½	34	20 32 44 56	34	20 32 44 56	34½	20½ 32½ 44½ 56½
6020EV 6030EV 6040EV 6050EV	72	24 36 48 60	71½	23½ 35½ 47½ 59½	33½	20 32 44 56	16	20 32 44 56	16½	20½ 32½ 44½ 56½
7020EV 7030EV 7040EV 7050EV	84	24 36 48 60	83½	23½ 35½ 47½ 59½	39½	20 32 44 56	19	20 32 44 56	19½	20½ 32½ 44½ 56½
8020EV 8030EV 8040EV* 8050EV*	96	24 36 48 60	95½	23½ 35½ 47½ 59½	45½	20 32 44 56	22	20 32 44 56	22½	20½ 32½ 44½ 56½
9020EV 9030EV 9040EV* 9050EV*	108	24 36 48 60	107½	23½ 35½ 47½ 59½	51½	20 32 44 56	25	20 32 44 56	25½	20½ 32½ 44½ 56½
6020CV 6030CV 6040CV 6050CV	72	24 36 48 60	71½	23½ 35½ 47½ 59½	22	20 32 44 56	23	20 32 44 56	23½	20½ 32½ 44½ 56½
7020CV 7030CV 7040CV* 7050CV*	84	24 36 48 60	83½	23½ 35½ 47½ 59½	26	20 32 44 56	27	20 32 44 56	27½	20½ 32½ 44½ 56½
8020CV 8030CV* 8040CV* 8050CV*	96	24 36 48 60	95½	23½ 35½ 47½ 59½	30	20 32 44 56	31	20 32 44 56	31½	20½ 32½ 44½ 56½
9020CV 9030CV* 9040CV* 9050CV*	108	24 36 48 60	107½	23½ 35½ 47½ 59½	34	20 32 44 56	35	20 32 44 56	35½	20½ 32½ 44½ 56½

*Meets Egress Requirements

Series C-910

Thermal Break Fixed Lite Window

Standard Sizes

Standard Window Size	Rough Opening		Actual Size	
	Single Unit		Single Unit	
	Width	Height	Width	Height
2020	24	24	23½	23½
2030		36		35½
2040		48		47½
2050		60		59½
3020	36	24	35½	23½
3030		36		35½
3040		48		47½
3050		60		59½
4020	48	24	47½	23½
4030		36		35½
4040		48		47½
4050		60		59½
5020	60	24	59½	23½
5030		36		35½
5040		48		47½
5050		60		59½
6020	72	24	71½	23½
6030		36		35½
2668*	30½	80	30	79½
3068*	36½		36	
4068*	48½		48	

* Tempered Glass

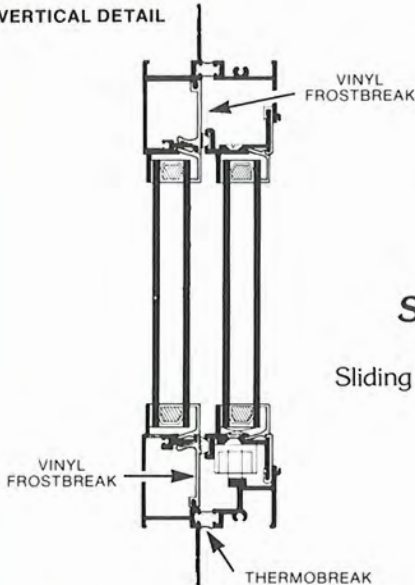


Series C-910



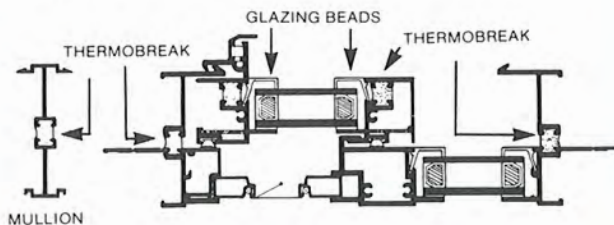
With the C-910, Columbia offers a problem solving versatile picture window that puts economy, quality construction and aesthetic excellence into your building plans or home.

VERTICAL DETAIL

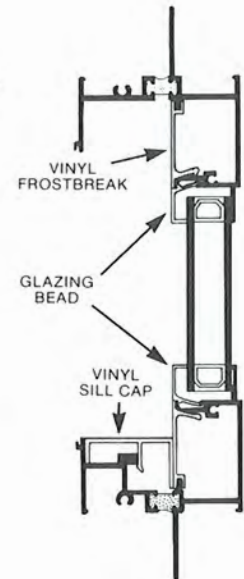


Series C-900
Thermal Break
Sliding (Rolling) Window

HORIZONTAL DETAIL

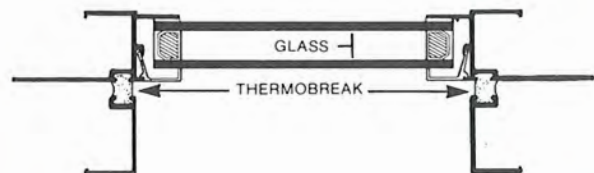


VERTICAL DETAIL



Series C-910
Thermal Break
Fixed Lite Window

HORIZONTAL DETAIL



Specifications

Columbia Thermal Break Primary Windows have a versatile design with a large variety of uses, ranging from single dwellings thru multi-family units to institutional and commercial construction. There is no doubt that Columbia has the industry's finest constructed, most attractive and adaptable prime window there is to offer.

GENERAL: All of our Aluminum Thermal Break Series C-500 DH-R30 and C-550 DH-C35 Single Hung Windows, Series C-900 HS-C20 Sliding (Rolling) Windows, and Series C-910 F-R40 Stationary Windows shall comply and bear the Quality Certification label in accordance with the ANSI/AAMA Certification Program 101-93.

MATERIAL: Series C-500 and Series C-550 window frames and sash members shall be of 6063-T5 extruded aluminum alloy having a minimum thickness of .050", the sill to have a minimum thickness of .062" within commercial tolerances. Series C-900 window frames and sash members shall have a minimum thickness of .062". Integral fins to have suitable break-off and nailing grooves.

FINISH: Windows to be finished in bronze or white acrylic, electrostatically applied enamel finish.

CONSTRUCTION: All joints of frame and sash members shall be neatly fitted, securely connected and permanently water tight. Frames shall have step point construction for maximum rigidity. Both frames and sash members shall use an extruded screw boss that is an integral part of the extruded section. The operating sash shall interlock at both meeting rail and closing jamb. Sash shall roll on self-lubricating ball bearing adjustable rollers, and be easily removable from inside when in open position and not removable when in locked position. Mullions to be furnished as required. Fixed and movable sash glazed drop in type.

WEATHERSTRIPPING: Weatherstripping shall be silicon treated, fungus, mildew and moth resistant high performance poly bond fin seal around the complete perimeter of the movable sash with a permanent poly fin in the middle of the poly pile to minimize air infiltration. Vertical stiles are weatherstripped. The poly pile weatherstripping shall use a poly bond backing to insure against shrinkage.

HARDWARE: Windows shall be factory equipped with an automatic lock made of non-corrosive material.

SCREENS: Screens shall be available on all windows and shall be easily installed or removed from inside without removing operating sash. Screen frames shall be aluminum sections securely joined at the corners. Screen cloth shall be 18x16 mesh fiberglass or aluminum.

INSTALLATION: All window frames shall be set in accordance with the manufacturer's recommendations without springing, forcing or distorting. Head and sill shall be aligned parallel and square with jambs. A non-hardening sealant compatible with aluminum shall be provided by the window erector, and applied in sufficient quantity to provide a water tight seal between window and surrounding construction. Fiberglass or a like insulation shall be installed around all four sides of product to insure a tight seal. Manufacturer assumes no liability for damage by the trades or final cleaning of aluminum.

GLAZING: Clear 1/2" sealed insulated thermo-cell glass is standard. 3/4" or 5/8" thick insulated glass and triple glazing are available at an extra cost. Also available bronze tint, low E and muntin bars between the glass at an extra cost.

Columbia Windows

Quality without Compromise!



Cleaning with Ease.

The operating sash can be removed from inside the building so cleaning is simple.



Silent Operation.

Corrosion-resistant rollers insure smooth, quiet operation every time (on slider model window).



Energy Efficiency.

Our center fin pile weatherstripping increases energy efficiency by sealing out air and water.



Easy Operation.

A block-and-tackle balancing system provides steady, even sash operation (on single hung model window).

CEILING

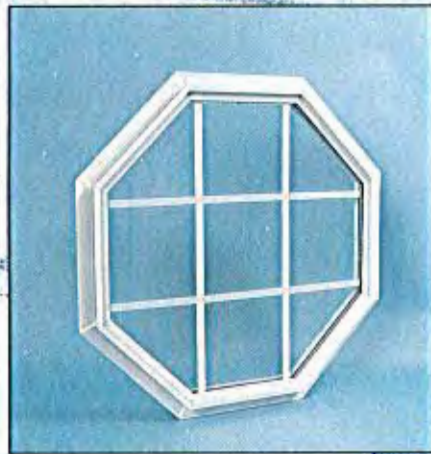
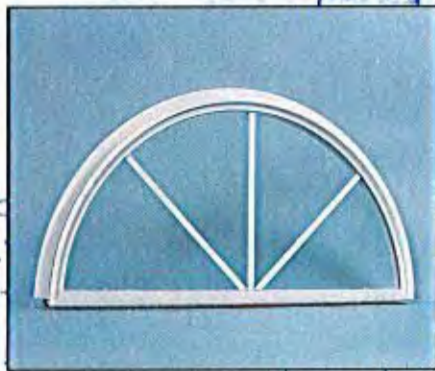
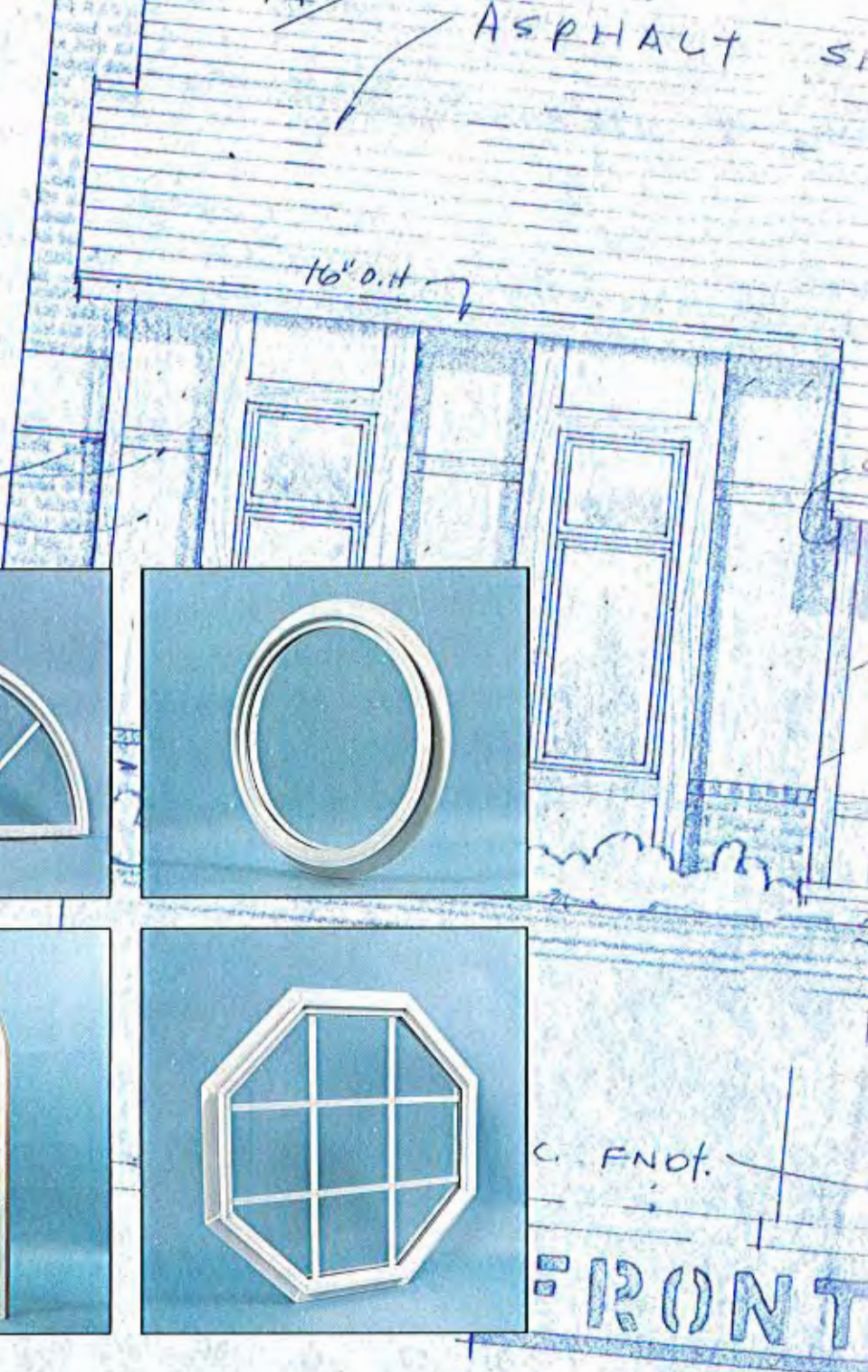
12'-9 1/2"

R/C 1x6'S
STUCCO, BRD. OR
PLYNO

7'-4"

7'-1"

4'-0"



C. FNOT.

FRONT

ROOF LOUVERS



Columbia



1600 N. Jackson • Kansas City, MO
816-241-5800
Toll Free 1-800-892-8703

Lindsborg, KS
(913) 227-3351
1-800-255-0174

Iola, KS
(316) 365-3166
1-800-362-0503

Pawnee, OK
(918) 762-3001
1-800-722-4144