

Sliding Glass Doors

bringing the color of life indoors



Columbia
Windows & Doors

Classic Patio Door

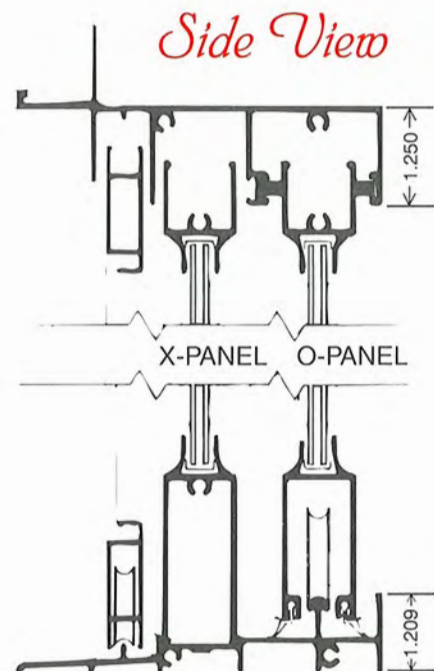
2200 JET

Standard Features

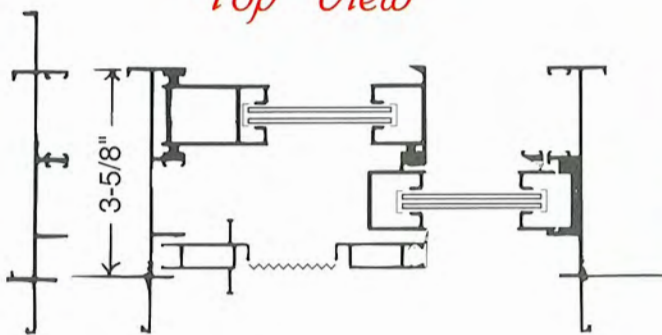
- 5/8" Tempered Insulated Glass or Tempered Single Glaze Glass
- Stainless Steel Threshold Cap
- White or Bronze Enamel Finish
- Selection of Three Nail Fin Frames 3-5/8", 4-5/8" or Flush Frame
- Interlocking Panels
- Fully Reversible Door Panels

Optional Features

- Bronze Tinted Glass
- Keyed Lock
- Dust Free Divided Lites Sealed Between Insulated Glass



Top View



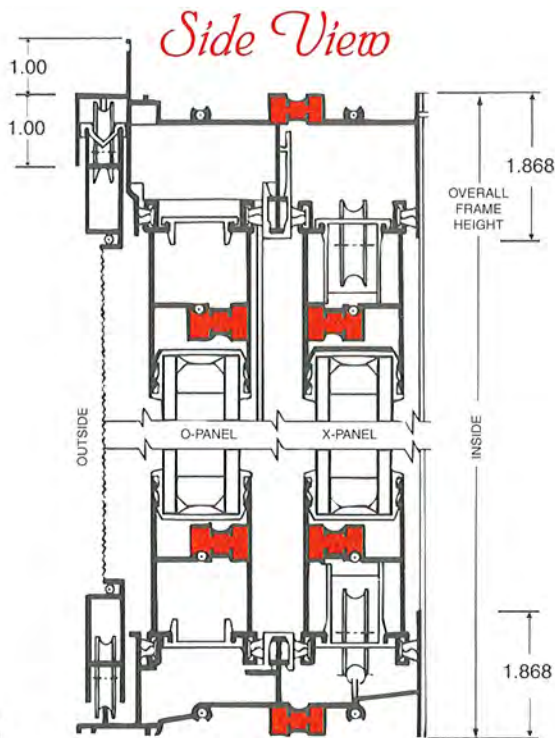
FULLY REVERSIBLE

Our 2 or 3 panel doors are completely reversible during or after installation. You select left or right handed panel operation. And you can change your mind later. Even years later.

NOMINAL SIZE	ACTUAL SIZE	ROUGH OPENING	GLASS SIZE
5068	59-1/2X80-3/8	60X81	(2) 28X76
6068	71-1/2X80-3/8	72X81	(2) 34X76
8068	95-1/2X80-3/8	96X81	(2) 46X76
9068	107-5/8X80-3/8	108X81	(3) 34X76
12068	143-5/8X80-3/8	144X81	(3) 46X76

Ultimate Patio Door

2500 IMPERIAL



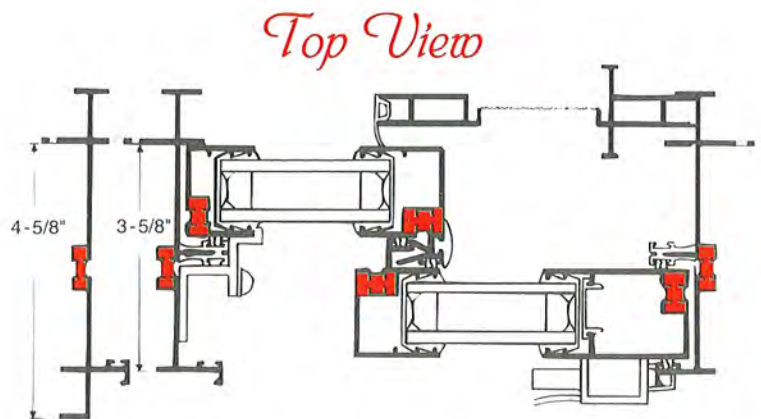
Standard Features

- 1" Tempered Insulated Glass
- Full Thermal Break Panel & Frame
- White or Bronze Enamel Finish
- Selection of Three Nail Fin Frames
3-5/8", 4-5/8" or Flush Frame
- Tandem Self-Leveling Twin Ball Bearing Wheels
- Stainless Steel Threshold Cap
- Anti Theft Panel Lock System
- Fully Reversible Door Panels

Optional Features

- Low E and/or Bronze Tinted Glass
- Triple Glazing
- Dust Free Divided Lites Sealed Between Insulated Glass
- Keyed Lock

NOMINAL SIZE	ACTUAL SIZE	ROUGH OPENING	GLASS SIZE
2-Door (unit reversible)			
5069	59-1/2X80-3/8	60X81	(2) 28X74
6069	71-1/2X80-3/8	72X81	(2) 34X74
8069	95-1/2X80-3/8	96X81	(2) 46X74
3-Door Units (center panel active)			
9069	107-1/2X80-3/8	108X81	(3) 34X74
12069	143-1/2X80-3/8	144X81	(3) 46X74
4-Door Units (2 center panels active)			
12069	142-3/4X80-3/8	143-1/4X81	(4) 34X74
16069	190-3/4X80-3/8	191-1/4X81	(4) 46X74



TBR Replacement Patio Door

Special sizes are available as shown for the retro fit market.

NOMINAL SIZE	ACTUAL SIZE	GLASS SIZE
5069	58-1/2X79-1/2	27-1/2X73-1/8
6069	70-1/2X79-1/2	33-1/2X73-1/8
8069	94-1/2X79-1/2	45-1/2X73-1/8



FULLY REVERSIBLE

Our 2, 3 or 4 panel doors are completely reversible during or after installation. You select left or right handed panel operation. And you can change your mind later. Even years later.

Specifications

General: The Columbia 2200 Jet Aluminum Sliding Glass Door shall meet or exceed the ANSI/AAMA 101-85 specification requirements for SGD-R25. The Columbia 2500 Imperial and 2500 TBR Aluminum Sliding Glass Doors shall meet or exceed the ANSI/AAMA 101-85 specification requirements for SGD-C20.

Material: Sliding door frame and vent sections shall be aluminum alloy and temper 6063-T5. Component parts and accessories shall be stainless steel, aluminum, or other corrosion resistant material.

Finish: For maximum resistance to corrosion sliding door frame and vent sections shall be painted bronze or white acrylic electrostatic enamel finish as specified.

Construction: All joints of the frame and vent sections shall be neatly fitted and secured to fully utilize the strength of the members and provide permanent watertight joints. Both sliding and fixed panels shall be constructed so that the location and direction of the slide for the panels can be changed after installation without replacement or reglazing. The sliding panel when in a locked position shall not be removable from the outside. Both sliding and fixed panels shall be removable for glazing and maintenance. The sliding panel shall be equipped with ball-bearing bottom-rolling type adjustable sheaves at each end to allow for proper alignment of the sliding vent with the frame. The sheaves shall be adjustable without removing sliding vent. The threshold shall have a removable stainless steel track to provide ease of operation and lasting quality.

Weatherstripping: Columbia uses a full perimeter double weatherstripping on both the frame and panels to insure a positive seal. The weatherstripping shall be a high performance poly bond fin seal.

Hardware: The hardware used on Columbia's sliding glass doors shall be of a non-corrosive material.

2200 Jet - The sliding vent panel shall be equipped with an adjustable locking device which will not permit the sliding vent panel to be locked automatically or permit damage to lock if sliding vent panel is closed with latch in locked position. A stainless steel strike plate is furnished for the lock jamb where the lock latches to the jamb, giving an added dimension of security. The outside pull and latch shall be easily adaptable for a cylinder lock, when specified (available at an extra cost).

2500 Imperial/2500 TBR - The sliding vent panel shall be equipped with a deluxe handle and non-jamming clam latch system utilizing the door frame as the strike, thus eliminating a weak link in the security chain. The clam latch will not permit the sliding vent to be locked automatically or permit damage to the lock if the sliding vent is closed with the latch in a locked position. The outside pull and latch shall be easily adaptable for a cylinder lock, when specified (available at extra cost).

Glazing: All glass will be tempered (safety) glass.

2200 Jet - The fixed and sliding panels shall be constructed to allow either shop or field glazing with "virgin" vinyl glazing channel. The glazing channel will be furnished with the door for 3/16" single glaze glass or 5/8" dual insulated glass as specified. All insulated glass panels are of marine type glazing with virgin vinyl glazing channels and welded corners to prevent water and air leakage.

2500 Imperial/2500 TBR - All doors shall be glazed with 1" dual or triple insulated glass as specified. The glass is set in a wrap-around vinyl glazing channel with welded corners.

Screens: Screens shall be extruded hollow aluminum fitted with 18x16 fiberglass screen cloth or mesh aluminum wire (available at extra cost). The screens shall be furnished with four tension mounted ball-bearing rollers, interior and exterior pulls, or handle and latching device. Screen shall also have vinyl insect-proofing at the interlocking stiles.

Erection: (Included under another contract) These sliding doors shall be erected in prepared openings according to manufacturer's instructions. All door frames shall be installed plumb, level, and square to allow proper functioning in regard to sliding, locking and weathering. All necessary screws shall be furnished by manufacturer.

Certification: Columbia's 2200 Jet and 2500 Imperial/2500 TBR aluminum sliding glass doors shall conform to all requirements of the AAMA Certification Program.

Guarantee: The sliding doors and components as represented on these pages are unconditionally guaranteed against defective material or workmanship for one year provided that the installation is in accordance with the manufacturer's specifications and instructions.

Lindsborg, KS
(785) 227-3087 • 1-800-255-0174
Fax (785) 227-3302

Iola, KS
(620) 365-3166 • 1-800-362-0503
Fax (620) 365-3168

Pawnee, OK
(918) 762-3001 • 1-800-722-4144
Fax (918) 762-3966



Columbia
Windows & Doors

1600 North Jackson
Kansas City, Missouri 64120

816-241-5800

Toll Free 1-800-892-8703

Fax 816-241-5809

Distributed By: